

NO DIMENSIONS TO BE SCALED FROM THIS DRAWING

CDM - RESIDUAL HAZARDS The following are considered to be significant risks relevant to this drawing, which could not be fully mitigated or removed through design.

No.	CDM - RESIDUAL HAZARDS
1	
2	
3	
4	
5	

Further possible control measures have been identified within the Design Risk Assessment which may help to mitigate these and other identified risks further during the construction / maintenance process.

**AREA SUMMARY**

**Redline Area:**  
50.67Ha / 125.22Ac

**Proposed Use:**  
Class 5: General Industry

**Ancillary Uses:**  
Class 4: Business  
Class 6: Storage or Distribution

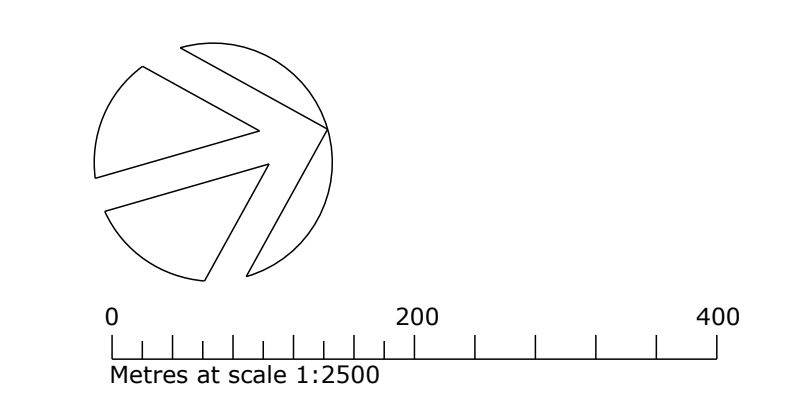
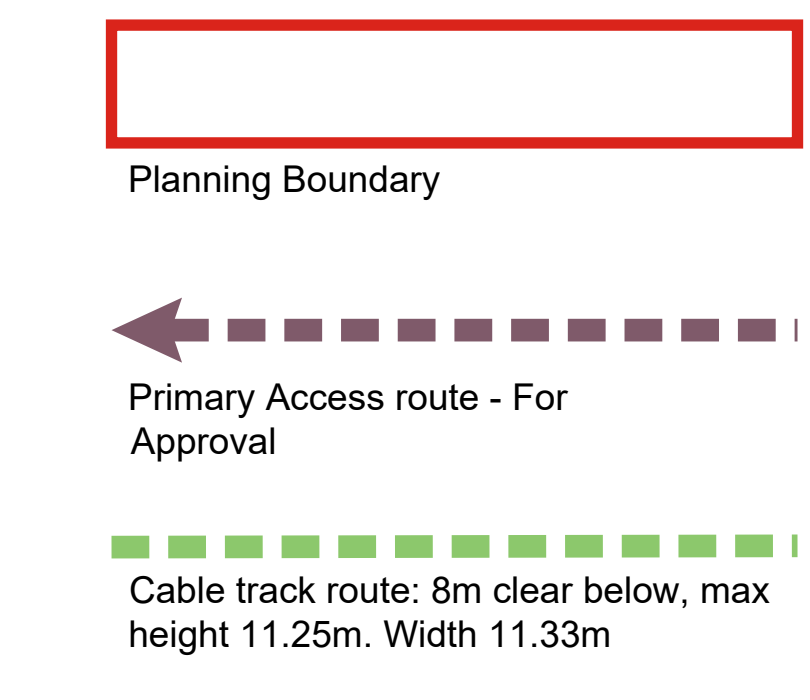
**Maximum Floorspace:**  
281,500 sq.m (3,030,042 sq.ft) GEA

**Proposed Maximum finished Unit Height**  
As shown based on an AOD baseline of 6.50m.  
Note maximum floorspace includes potential basement floorspace.

**Notes:**  
Service trenches (approximately 2.5m deep below ground level) to be distributed across the site - locations to be confirmed.

**KEY:**

No.	Process Description	Zone Max Height A.O.D.	Zone Clear height
1	PQ Testing	41.500m	35.000m
2	Testing Carousel Hall 1	36.500m	30.000m
3	High Voltage testing	51.500m	45.000m
4	Testing Carousel Hall 2	36.500m	30.000m
5	Offices	26.500m	20.000m
6	Security Gatehouse	26.500m	20.000m
7	Main Factory Hall	51.500m	45.000m
8	Utilities Compound	26.500m	20.000m
9	Canteen/Welfare	26.500m	20.000m
10	Facilities maintenance	26.500m	20.000m
11	Rod Breakdown	26.500m	20.000m
12	Storage carousels	26.500m	20.000m
13	Cable Rewinding	26.500m	20.000m
14	Reel Testing (N)	51.500m	45.000m
15	Reel Testing (S)	51.500m	45.000m
16	VCV Tower	151.500m	185.000m



**INDICATIVE ONLY**

Rev	Description	Date	By	CHK
001	Additional height information added	15.09.2024	AD	MMWS
002	Scale Amended	20.09.2024	AD	MMWS
003	Scale Amended	03.10.2024	AD	MMWS
004	Height parameters updated	21.10.2024	AD	MMWS
005	Max. floorspace increased - feedback received	15.11.2024	AD	MMWS
006	Height parameters updated	09.12.2024	AD	MMWS
007	Final Issue	18.12.2024	AD	MMWS

Client: **XLCC**

Project: **XLCC Hunterston**

Drawing Title: **Parameters Plan**

Subsidiary Status: **S2 - Suitable for information**

Job No: **210685** Scale: **1:2500** Site: **@ A0** Rev: **P07**

Drawing Number: **XLHU-SGP-00-ZZ-DR-A-10003**

Project Code - Originator - Zone - Level - Type - Role - Number

